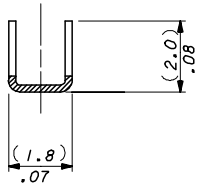


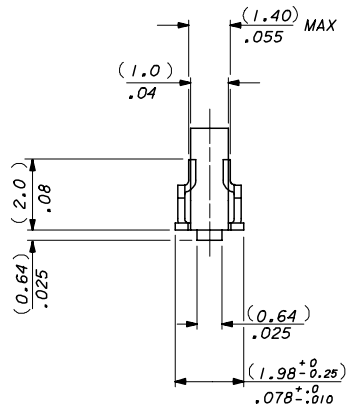
NOTES*

1. MATERIAL: (0.2)/.008 THICK BRASS 70/30, FOR MATL. SPEC SEE SHEET 2.
2. SUITABLE FOR 22-30 GA WIRE, (1.57)/.062 MAX INSULATION.
3. CODE LETTER PRECEDING PART No DESIGNATES MANUFG. LOCATION, I=IRELAND.
4. TERMINAL MUST MEET BEND SPEC. SDES-219.
5. THIS PART CONFORMS TO PROD. SPEC. 99020-0088

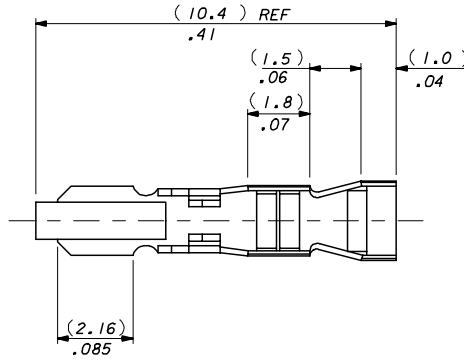
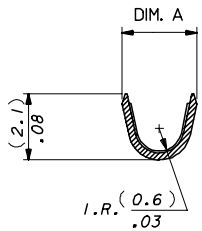
SECTION D-D
(4809-1T ONLY)



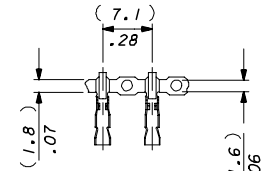
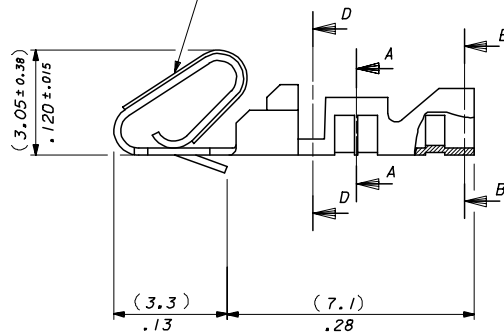
SECTION B-B



SECTION A-A



SELECTIVE PLATING AREA,
SEE CHART AND SDES-186



CARRIER STRIP DETAIL
SCALE 2:1

4809-(*)**

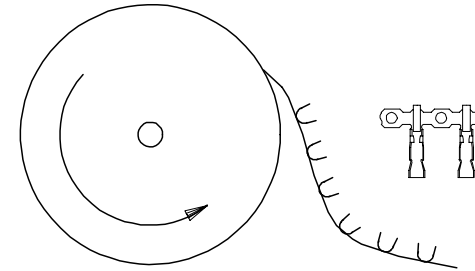
- BLANK : DIM. A = (2.45-1.75) / .096-.069
- M: DIM A = (2.35-2.05) / .093-.081
- BLANK-CHAIN FORM TOP FEEDING REEL
- L-LOOSE FORM
- BF-CHAIN FORM, BOTTOM FEEDING REEL

PLATING CODE

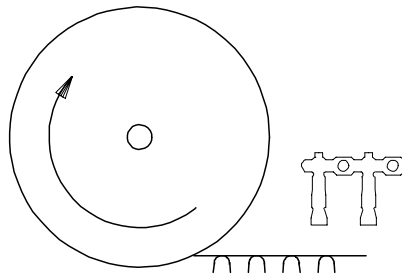
DIM CORRECTION EC NO. E2007-0218 DRAWN: JDENNEHY 2006/09/15 CHKD: DMOR IARTY 2006/09/15 APPR: JDENNEHY 2006/10/11	QUALITY SYMBOLS ▽=0 ▽=0	GENERAL TOLERANCES (UNLESS SPECIFIED)		DIMENSION STYLE MM/IN	SCALE 10:1	DESIGN UNITS METRIC	THIRD ANGLE PROJECTION				
		4 PLACES ± .010 ± .010	3 PLACES ± .010 ± .010	2 PLACES ± 0.25 ± .014	1 PLACE ± 0.35 ± .010	ANGULAR ± ---°	DRAWN BY MCC	DATE 1986/07/30	CHECKED BY DMOR IARTY	DATE 2004/10/18	APPROVED BY JDENNEHY
AL	DESCRIPTION	DRAFT WHERE APPLICABLE MUST REMAIN WITHIN DIMENSIONS		SEE CHART	MATERIAL NO. SD-4809-*	DOCUMENT NO. SD-4809-*	SHEET NO. 1 OF 2				

FINISH NOTES*

- (P902) HOT TIN DIP 1.0- 2.5µM/(.000040 - .000100)
- (999) UNPLATED
- (109) ELECTRO TIN PLATE (7.6-10µM)/.000300-.000400 OVER (1.25-2.0µM)/.000050-.000080 COPPER.
- (505) GOLD PLATE (1.25-1.5µM)/.000050-.000060 OVER (1.25-2.0µM)/.000050-.000080 NICKEL.
- (506) GOLD PLATE (1.25-1.5µM)/.000050-.000060 OVER (2.5-3.25µM)/.000100-.000130 NICKEL.
- (507) GOLD PLATE (2.5-2.75µM)/.000100-.000110 OVER (1.25-2.0µM)/.000050-.000080 NICKEL.
- (509) GOLD PLATE (1.25-1.5µM)/.000050-.000060 OVER (0.76-2.0µM)/.000030-.000080 NICKEL.
- (550) GOLD PLATE (0.38-0.63µM)/.000015-.000025 OVER (0.76-1.5µM)/.000030-.000060 NICKEL IN CONTACT AREA WITH (0.12µM)/.000005 MIN. GOLD FLASH OVERALL.
- (555) SELECTIVE GOLD (0.38µM)/.000015 OVER (0.76µM)/.000030 IN CONTACT AREA ONLY.
- (558) GOLD PLATE (0.76-1.5µM)/.000030-.000060 OVER (1.25-2.0µM)/.000050-.000080 NICKEL IN CONTACT AREA WITH (0.12µM)/.000005 MIN. GOLD FLASH OVERALL.



TERMINALS FEEDING FROM THE TOP OF THE REEL ARE STANDARD WOUND



TERMINALS FEEDING FROM THE BOTTOM OF THE REEL ARE REVERSE WOUND SEE NOTE 5

I	08-50-0022	4809-(109)BF	CHAIN	(109)	(2.1)/.083 REF
I	40-01-0831	↑ -(999)BF	↑	(999)	(2.1)/.083 REF
	NT	-(505)BF		(505)	(2.1)/.083 REF
	NT	-(507)BF		(507)	(2.1)/.083 REF
I	08-55-0119	↓ -(555)BF	↓	(555)	(2.1)/.083 REF
I	08-56-0155	↓ -(550)BF	↓	(550)	(2.1)/.083 REF
I	08-50-0021	4809-(P902)BF	CHAIN	(P902)	(2.1)/.083 REF
	PART No	ENG No	FORM	FINISH	DIM . A

BOTTOM FEEDING REELS ONLY

	NT	4809-(506)	CHAIN	(506)	ES-99001-0014	(2.1)/.083 REF
	NT	↑ -(506)JL	LOOSE	(506)		(2.1)/.083 REF
I	08-56-0158	↓ -(558)	CHAIN	(558)		(2.1)/.083 REF
	NT	-(558)JL	LOOSE	(558)		(2.1)/.083 REF
	NT	-(509)	CHAIN	(509)		(2.1)/.083 REF
	NT	-(509)JL	LOOSE	(509)		(2.1)/.083 REF
	NT	-(109)	CHAIN	(109)		(2.1)/.083 REF
	NT	-(109)JL	LOOSE	(109)		(2.1)/.083 REF
I	40-01-0829	↓ -(999)	CHAIN	(999)		(2.1)/.083 REF
I	40-01-0830	↓ -(999)JL	LOOSE	(999)		(2.1)/.083 REF
	NT	-(505)	CHAIN	(505)		(2.1)/.083 REF
	NT	-(505)JL	LOOSE	(505)		(2.1)/.083 REF
	NT	-(507)	CHAIN	(507)		(2.1)/.083 REF
	NT	-(507)JL	LOOSE	(507)		(2.1)/.083 REF
I	08-55-0110	↓ -(555)	CHAIN	(555)		(2.1)/.083 REF
I	08-55-0111	↓ -(555)JL	LOOSE	(555)		(2.1)/.083 REF
	08-56-0120	↓ -(550)	CHAIN	(550)	ES-99001-0014	(2.1)/.083 REF
	08-56-0115	↓ -(550)JL	LOOSE	(550)		(2.1)/.083 REF
I	08-50-0135	↓ -(P902)	CHAIN	(P914)	ES-99001-0015	(2.1)/.083 REF
I	08-50-0136	↓ 4809-(P902)JL	LOOSE	(P914)	ES-99001-0015	(2.1)/.083 REF
	PART No	ENG No	FORM	FINISH	MATL. SPEC.	DIM . A

TOP FEEDING REELS ONLY

ADDED PART OPTION ECC NO: E2005-0286 DRWNGS/MSWEN 2004/11/03 CHKD:DMOR IART 2004/11/03 APPR: JDEWNEY 2004/11/04 REV	QUALITY SYMBOLS	GENERAL TOLERANCES (UNLESS SPECIFIED)	DIMENSION STYLE	SCALE	DESIGN UNITS	THIRD ANGLE PROJECTION	
	=0 =0	mm INCH 4 PLACES ± --- ± --- 3 PLACES ± --- ± .010 2 PLACES ± 0.25 ± .014 1 PLACE ± 0.35 ± --- ANGULAR ± ---°	MM/IN	NTS METRIC	DRAWN BY DATE MCC 1986/07/30 CHECKED BY DATE DMOR IART 2004/10/18 APPROVED BY DATE JDEWNEY 2004/10/19	TITLE ANTI-FISH HOOKING TERMINAL KK,(2.50)/.100	MATERIAL NO. SEE CHART DOCUMENT NO. SD-4809-*
	DRAFT WHERE APPLICABLE MUST REMAIN WITHIN DIMENSIONS			SIZE	Molex MOLEX INCORPORATED		SHEET NO.
				A2	THIS DRAWING CONTAINS INFORMATION THAT IS PROPRIETARY TO MOLEX INCORPORATED AND SHOULD NOT BE USED WITHOUT WRITTEN PERMISSION		2 OF 2